

WP BOOM 11M & OVER OFFICIAL DEFINITION

Purpose

The purpose of this guide is to clarify the meaning of 'boom length of 11 metres and over, within the definition of boom type elevating work platform.

In July 1996 The Health and Safety Organisation amalgamated with the Victorian WorkCover Authority (VWA). This Guidance Note has been revised to reflect that change. The technical content remains unaltered.

Regulations

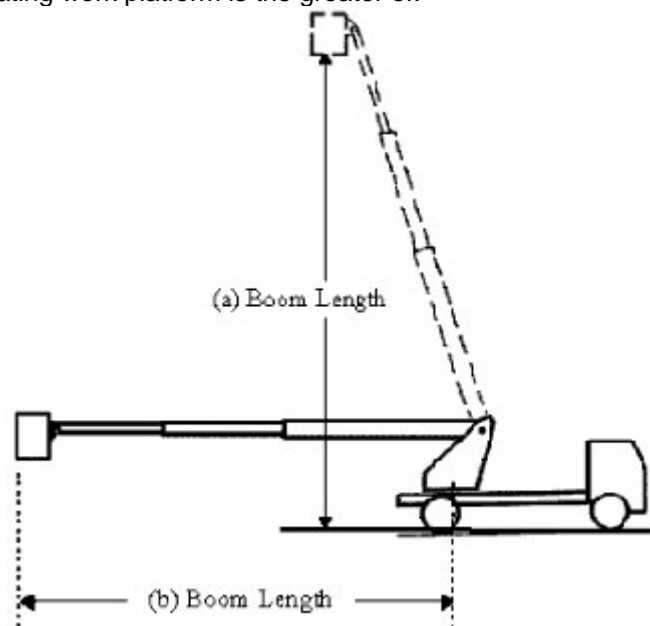
The Occupational Health and Safety (Certification of Plant Users and Operators) Regulations 1994 define a boom-type elevating work platform as:

"A powered telescoping device, hinged device or articulated device or any combination of these used to support a platform on which personnel, equipment and materials may be elevated to perform work and which has a boom length of 11 metres or more".

Certificate of Competency

From 1 July 1996 a certificate of competency or license is required to operate a boom-type elevating work platform which has a boom length of 11 metres or more.

The boom length of an elevating work platform is the greater of:



- (a) The vertical distance from the floor of the platform to the support surface at its maximum height; or
- (b) The nominal reach, measured horizontally, from the centre point of rotation to the outer edge of the platform in its most extended position.

Training

Whether a certificate of competency is required or not, the Occupational Health and Safety Act 2004, places responsibility on employers to provide information, instruction, training and supervision to employees as are necessary to enable them to perform their work in a manner that is safe and without risks to health.

Similarly the OHS (Plant) Regulations 1995 provide that if a hazard related to plant and its associated systems of work is identified and assessed to be a risk, an employer must provide training, instruction and information to supervisors and employees who are likely to be exposed to risks, arising from the operation of boom type elevating work platforms.